



MODEL 15

PRECISION OPEN FACE FLAT LAPPING MACHINE



- The Lapmaster Model 15 is a bench-mounted unit with a rigid, lightweight, fabricated steel base. The machine is of the “ring lapper” configuration, enabling high standards of flatness and surface finish to be routinely achieved.
- The Model 15 is derived from the popular Model 12 and features a scaled-up lapping plate, conditioning rings and convenient “wrap-around” worktable.
- In - process lap plate flatness control is provided for by three conditioning rings, which locate in yoke/roller bearing assemblies. Workpieces are located within carriers or appropriate fixtures which run within the rings. Large parts of cylindrical shape can be substituted for the rings.
- The Model 15 is ideally suited for lapping low and high production quantities. In-shop lapping reduces costs of component processing and equipment maintenance programs. Worn parts are reconditioned and salvaged, thus eliminating scrap. Valve bodies, discs, gears, vanes, valve plates and shaft seals are a few of the components benefiting from the lapping process.
- The Model 15 is equally at home in the laboratory, where it can be used to process a wide variety of materials on an experimental basis. These results can then be applied to a production situation.



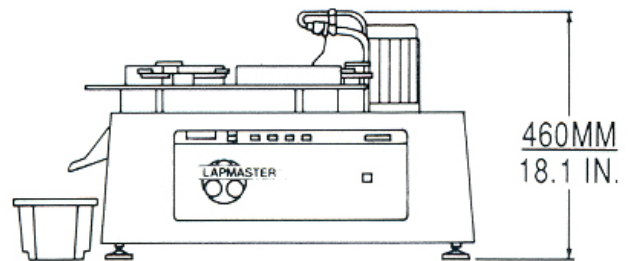
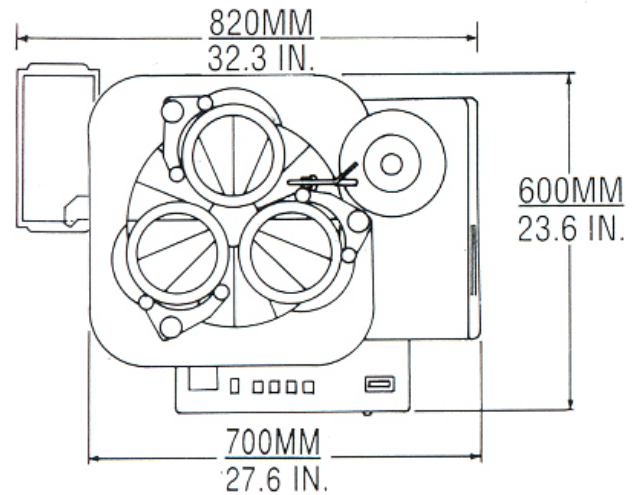
MODEL 15

STANDARD FEATURES

- Heavy duty fabricated steel base.
- Epoxy finished Wrap-around work table facilitates parts handling.
- Three conditioning rings with roller yoke and bearing assemblies to facilitate in-process plate flatness control.
- Abrasive feed system designed for water or oil based lapping slurries. Consisting of a 1/25hp/0.03 kW pump, tank and three outlet system with individual variable flow control. This permits uniform lapping rates at each work station.
- High torque drive unit, 0.37kW/0.5hp motor with sealed maintenance free reduction gearbox.
- Electrical system wired for 220V 1 Phase 50Hz (single phase fixed speed and variable speed machines) or 380V 3 Phase 50Hz or 414V 3 Phase 50Hz (Three phase fixed machine) complies with EN 60 204.
- Automatic digital cycle timer: time ranges from 0.1 to 999 seconds, minutes or hours.

STANDARD TOOLING

- High density, cast iron radially serrated lap plate 15" O.D. x 31/2" I.D./ 381mm O.D. x 88.9mm I.D.
- Three high density cast iron serrated conditioning rings. 7" O.D x 51/2" I.D./ 178mm O.D x 140mm I.D.
- Three high density cast iron pressure plates with lifting eyebolts 57/16" dia.x 11/4" thick/ 138mm dia. x 32mm thick.
- Three PVC workholder discs 57/16" dia.x 1/8" thick / 138mm dia. x 3.2mm thick.
- Three felt pads 57/16" dia. x 1/2" thick / 138mm dia. x 13mm thick.
- Starter sample of Lapmaster abrasive.
- Starter sample of Lapmaster vehicle.
- Operation and maintenance manual.
- Allen wrench.



WEIGHT: 222 lbs/101 kg
SHIPPING WEIGHT: 330 lbs./150 kg

AVAILABLE OPTIONS

- Soft - start (to cushion start-up).
- Electronic variable speed drive, 0-70 rpm.
- Diamond slurry dispensing systems.
- Various lapping/polishing plates.
- Non - standard voltages.
- Custom machines and tooling.



Lapmaster International Ltd

International Lapping and Polishing Machine Systems

Lee Mill Industrial Estate,
Ivybridge, Devon, PL21 9EN, UK.

Telephone: + 44 (0)1752 893191

Fax: + 44 (0)1752 896355

Email: sales@lapmaster.co.uk

Internet: www.lapmaster.co.uk

Lapmaster has a policy of continued development and the specifications outlined above are subject to change without notice.