



## MODEL 24

### PRECISION OPEN FACE FLAT LAPPING MACHINE



Integral abrasive dispenser



Integral waste tank

- The Lapmaster Model 24 is the smallest floorstanding lapping machine in the range. It is equipped with a 24 inch (610mm) diameter serrated cast iron lap plate as standard. Other plates can be supplied to special order.
- The machine is constructed with a rigid welded tubular section steel frame, which supports the gearbox, drive motor and worktable, and houses both the abrasive compound feed tank and the waste tank. Access to these is provided by lift-off panels.
- The machine utilises an abrasive, such as silicon carbide, boron carbide or aluminium oxide, suspended in a suitable oil or water-based vehicle.
- As with all Lapmaster flat lapping machines, provision is made for lateral adjustment of the conditioning ring position, relative to the lap plate track, so that plate flatness can be finely controlled.
- This machine is also available in a Pneumatic Lift version. Please refer to appropriate Product Data Sheet.
- The Model 24 is ideally suited for low or high production quantities.
- The Model 24 can be used to process a wide variety of materials including semiconductors, electro-optics, ceramics, metals and other specialty products.



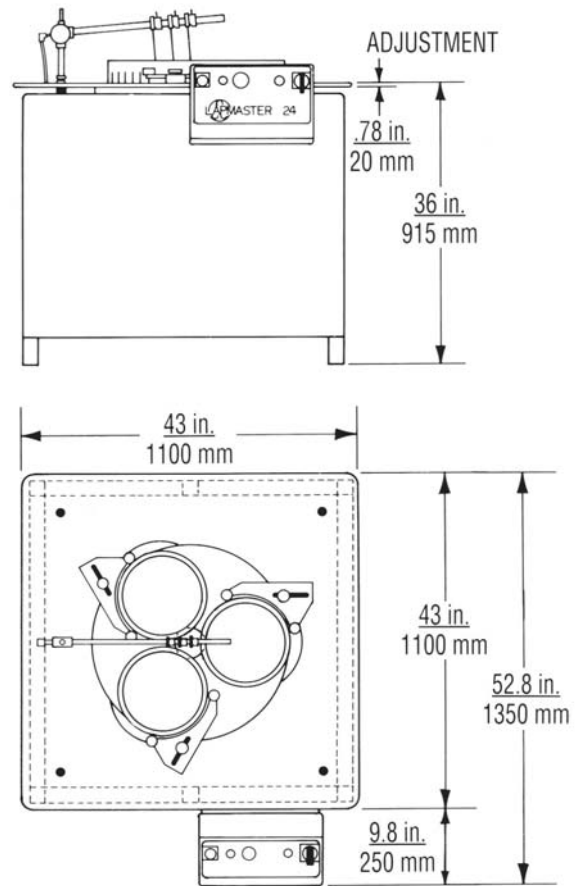
## MODEL 24

### STANDARD FEATURES

- Heavy duty, tubular steel, floor standing base with integrally mounted drive motor, reduction gearbox, abrasive storage, abrasive distribution system, complete with control panel.
- Heavy duty work table, vertically adjustable.
- Three conditioning rings, with adjustable roller bearing yoke assemblies to maintain lap plate flatness.
- Abrasive system, complete with pump, agitator tank and multiple point distribution.
- Electrical system suitable for 380V 3ph 50Hz and complies with EN 60 204 (other supplies can be catered for on request).
- Operator control panel with start and stop controls and multiple range, automatic cycle timer.
- High torque drive unit consisting of 1.5 kW/2 hp motor and heavy duty, sealed, maintenance-free reduction gearbox. Lap plate speed 70 r.p.m.
- Removable waste container.

### STANDARD OPTIONS

- Cast iron serrated lapping plate 610mm O.D. x 114mm I.D. / 24" O.D. x 4.5" I.D.  
Wear life 16mm/0.6"
- Three cast iron serrated conditioning rings 286mm O.D. x 248mm I.D. / 11.25" O.D. x 9.75" I.D.  
Wear life 35mm/1.4"
- Three cast iron pressure plates.
- Three workholder blanks.
- Three felt pads.
- Starter sample of Lapmaster abrasive.
- Starter sample of Lapmaster vehicle.
- Lap plate lifting tool.
- Set of Allen keys.
- Operation and maintenance manual.



Weight: 1224 lbs/555 kg  
Shipping Weight: 1610 lbs/730 kg

### ADDITIONAL OPTIONS

- 4 ring model.
- Variable speed lap drive 0-70 RPM (using frequency converter).
- Water cooled lap plates.
- Enlarged movable work table to improve multiple parts handling.
- Non-standard voltages.
- Custom machines and tooling.



Lapmaster International Ltd  
International Lapping and Polishing Machine Systems  
Lee Mill Industrial Estate,  
Ivybridge, Devon, PL21 9EN, UK.  
Telephone: + 44 (0)1752 893191  
Fax: + 44 (0)1752 896355  
Email: sales@lapmaster.co.uk  
Internet: www.lapmaster.co.uk

Lapmaster has a policy of continued development and the specifications outlined above are subject to change without notice.